

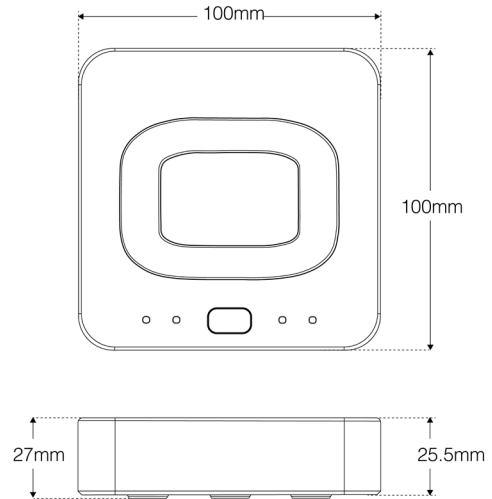
DILX-GW

ITEM NO: 21864

Link the Digilux range of dimmers and switches to the cloud based Orcomm connect service. The standalone gateway allows remote control of the Orcomm lighting control products to be controlled using a smart device, Amazon alexa and Google home voice services. Connects using Wi-Fi or a hardwired internet connection.



DIMENSION



DETAILS

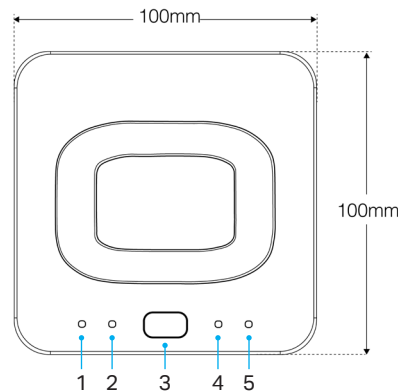
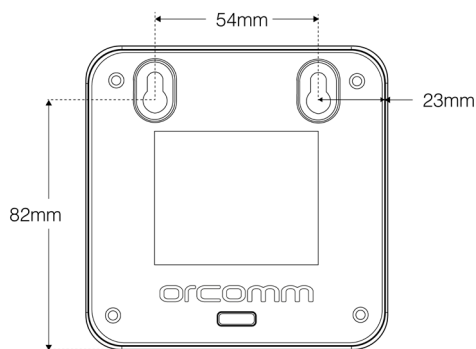
Material	Polycarbonate	Colour	Black/Red
Finish	Matt	Operating Temperature Range	-10°C to 40°C
Operating Humidity	20% - 85% RH	Operating Altitude	2000M
Height (mm)	100	Width (mm)	100
Depth (mm)	27	Mounting	Wall Mounted/Free standing

TECHNICAL INFORMATION

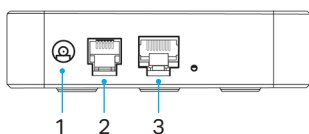
Power	12v DC	Current	1000 mA
Protocols	802.11n/g, Zigbee 3.0	Communications	WiFi/LAN
Radio Frequency	2.4GHz	Standards	RoHS, TUV, CE, WEEE
Warranty	2 Year, RTB		

ADDITIONAL INFORMATION

This product requires an active Orcomm Connect service. It is compatible with the DIGILUX range of products from Orcomm.



1. Network
2. Power
3. Mode
4. Cloud Connection
5. Zigbee



1. 12V DC Input
2. RS45 (Expansion)
3. Ethernet