

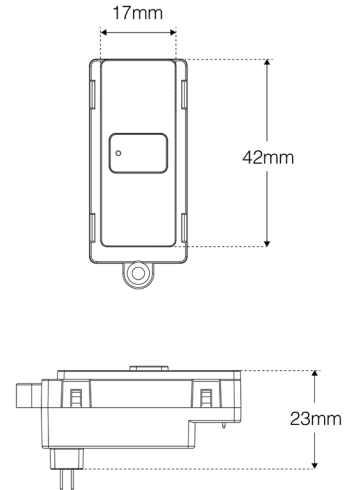
# DILX-SW-MOD-BL

ITEM NO: 10889

Switch module designed for integration with the DIGILUX back box range, enables switch control of a single circuit connected to the control back box.



## DIMENSION



## DETAILS

Finish	Matt	Colour	Black (RAL 9005)
Depth (mm)	23	Height (mm)	42
Width (mm)	17	IP Rating	IP20
Operating Temperature Range	-10°C to 40°C	Operating Humidity	20% - 85% RH
IK Rating	IK04		

## TECHNICAL INFORMATION

Input Voltage Range	100-240Vac	Incoming Voltage Frequency	50/60Hz
Maximum Load Wattage	<150W	Minimum Load Wattage	>1W

## NOTES

1. Designed exclusively for use with the Orcomm range of DIGILUX control boxes.
2. Avoid mixing different light sources on the same circuit.
3. Do not combine dimmable and non-dimmable light sources.