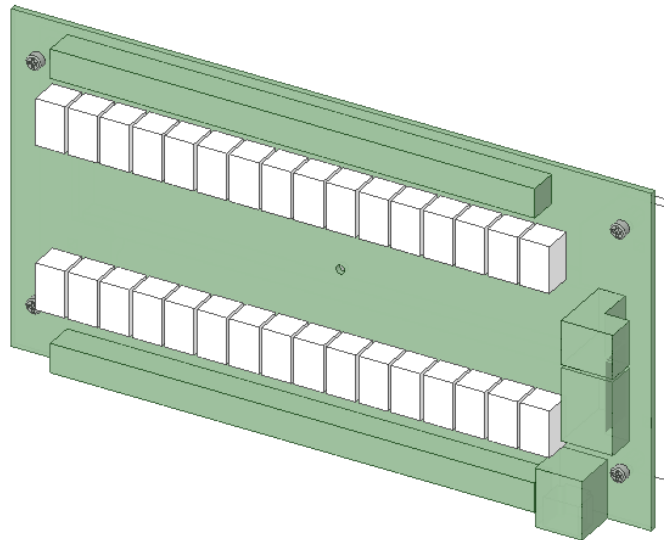


ORC-BR-LFT

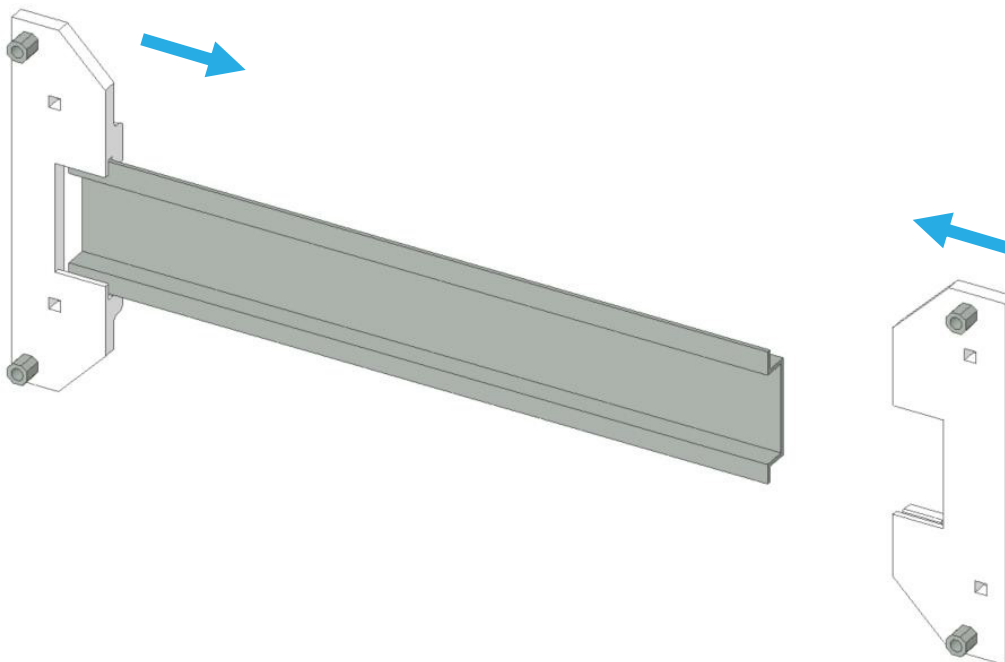
Lift Control

Installation Guide

Installation of ORC-BR-LFT to house ORC-LFT and ORC-LFT-EXT inside orcomm power supply.

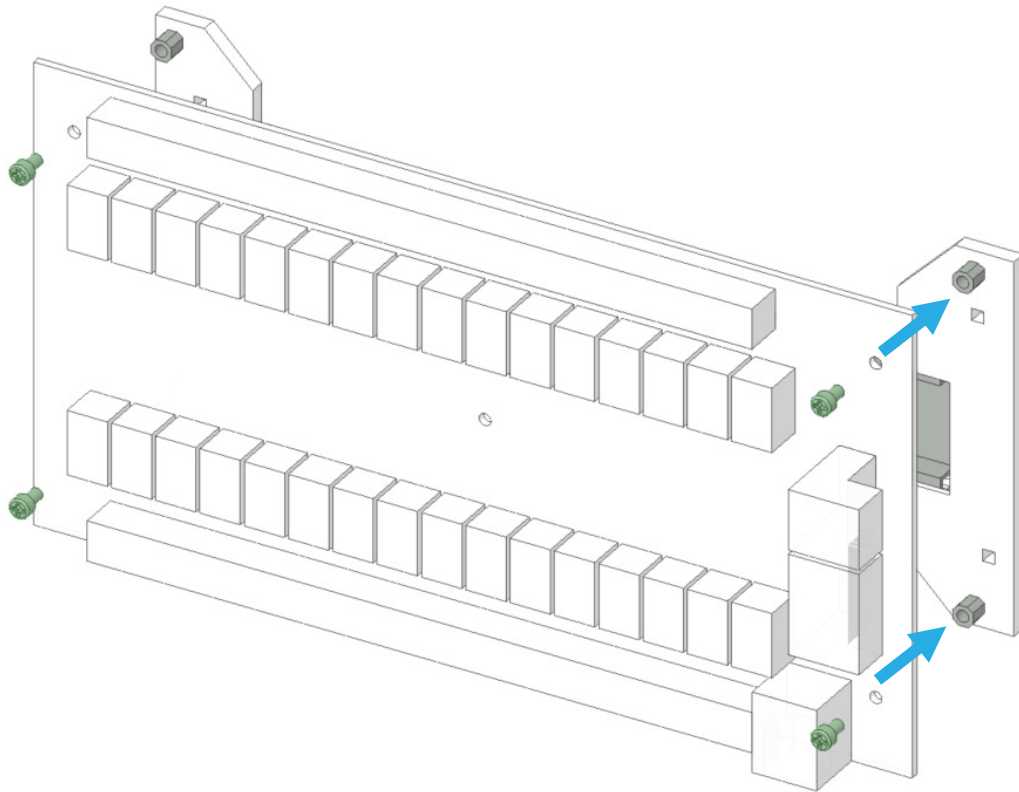


Slide the Brackets either end of the Din rail (180mm) inside the Orcomm power supply



Screw 4x M3 screw to Bracket

WARNING do not overtighten the screws



For more information visit www.orcomm.co.uk