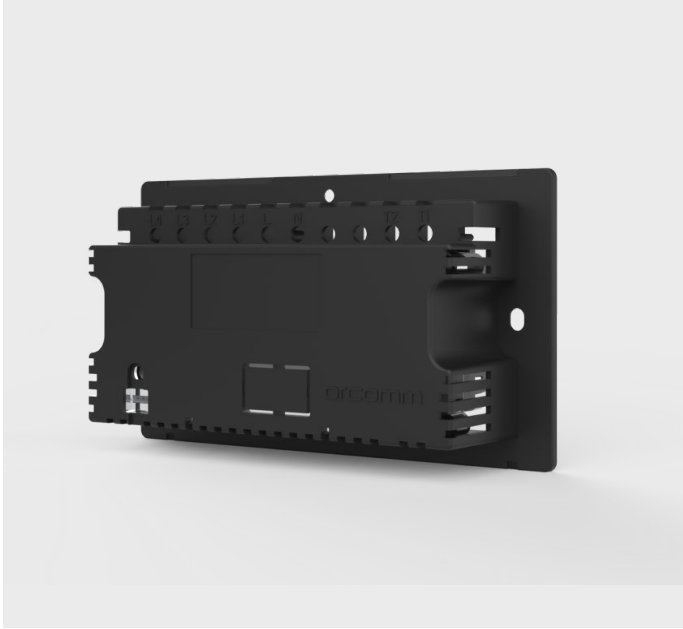


# DILX-4G-CB

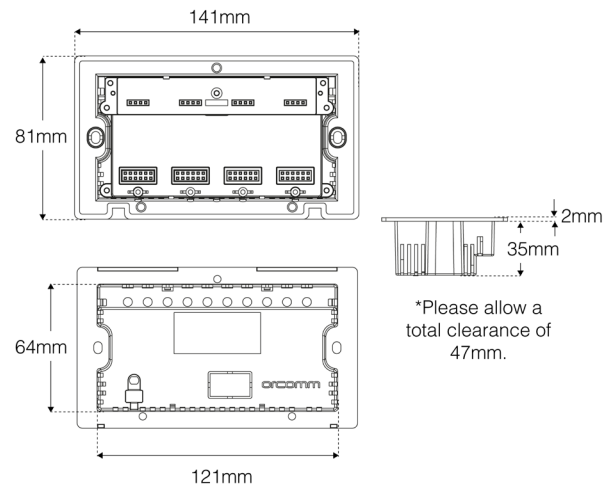
ITEM NO: 10874

DIGILUX 4 gang wall control box is meticulously engineered with a robust construction utilizing high-quality polycarbonate material, ensuring durability and longevity in diverse environmental conditions. This visually refined enclosure is specifically designed to accommodate Digilux's switched or dimmable insert modules seamlessly.

The matte black finish adds a sophisticated aesthetic touch and enhances the wall control box's resistance to wear and scratches.



## DIMENSION



## GENERAL

Number of Gangs	4	Material	Polycarbonate
Colour	Black	Finish	Matt

## ENVIRONMENTAL

IP Rating	IP20	IK Rating	IK04
Operating Temperature Range	-10°C to 40°C	Operating Humidity	20% - 85% RH
Operating Altitude	2000M		

## PHYSICAL

Height (mm)	81	Width	141
Depth (mm)	37	Weight (grams)	N/A
Connection Terminals	Screw (Ph2 Drive)	Terminal Capacity (1mm <sup>2</sup> solid core)	4 Cables
Terminal Capacity (1.5mm <sup>2</sup> solid core)	3 Cables		

## ELECTRICAL

Input Voltage Range	100-240Vac	Incoming Voltage Frequency	50/60Hz
Maximum Load Wattage	<150W (Per Channel)	Minimum Load Wattage	>1W (Per Channel)
Standby Current	20mA	Notes	Requires Neutral

## CONNECTIVITY

Radio Frequency	2.4GHz	Line of Sight Range Upto	20m
-----------------	--------	--------------------------	-----

# DILX-4G-CB

ITEM NO: 10874

## INSTALLATION

<b>Backbox Depth (&lt;/1.5mm Cable)</b>	47mm	<b>Backbox Mounting Tabs</b>	2x Horizontal
<b>Mounting</b>	Wall	<b>Fixing Mode</b>	2x M3.5 Screw

## STANDARDS, APPROVALS AND WARRANTY

<b>Standards</b>	RoHS, TUV, CE, UKCA, WEEE	<b>Warranty</b>	2 Year, RTB
------------------	---------------------------	-----------------	-------------