

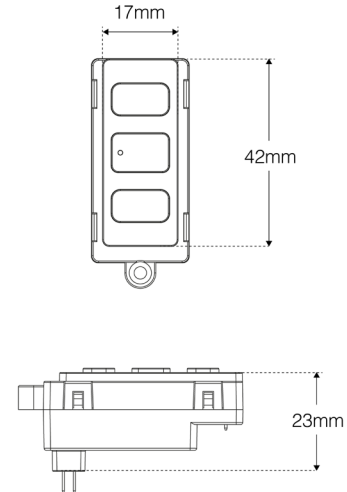
DILX-DM-MOD-BL

ITEM NO: 10887

Dimmer module designed for integration with the DIGILUX back box range, providing precise dimming control for a single circuit connected to the control back box.



DIMENSION



DETAILS

Finish	Matt	Colour	Black (RAL 9005)
Depth (mm)	23	Height (mm)	42
Width (mm)	17	IP Rating	IP20
Operating Temperature Range	-10°C to 40°C	Operating Humidity	20% - 85% RH
IK Rating	IK04		

TECHNICAL INFORMATION

Input Voltage Range	100-240Vac	Incoming Voltage Frequency	50/60Hz
Maximum Load Wattage	<150W	Minimum Load Wattage	>1W
Dimming Type	PHASE - Leading/Trailing		

NOTES

1. Designed exclusively for use with the Orcomm range of DIGILUX control boxes.
2. Dimming performance may vary between different light source manufacturers. For optimal results, it is recommended to use compatible ORLIGHT products.
3. Avoid mixing different light sources on the same circuit.
4. Do not combine dimmable and non-dimmable light sources.