

# **ORC-BR-LFT**

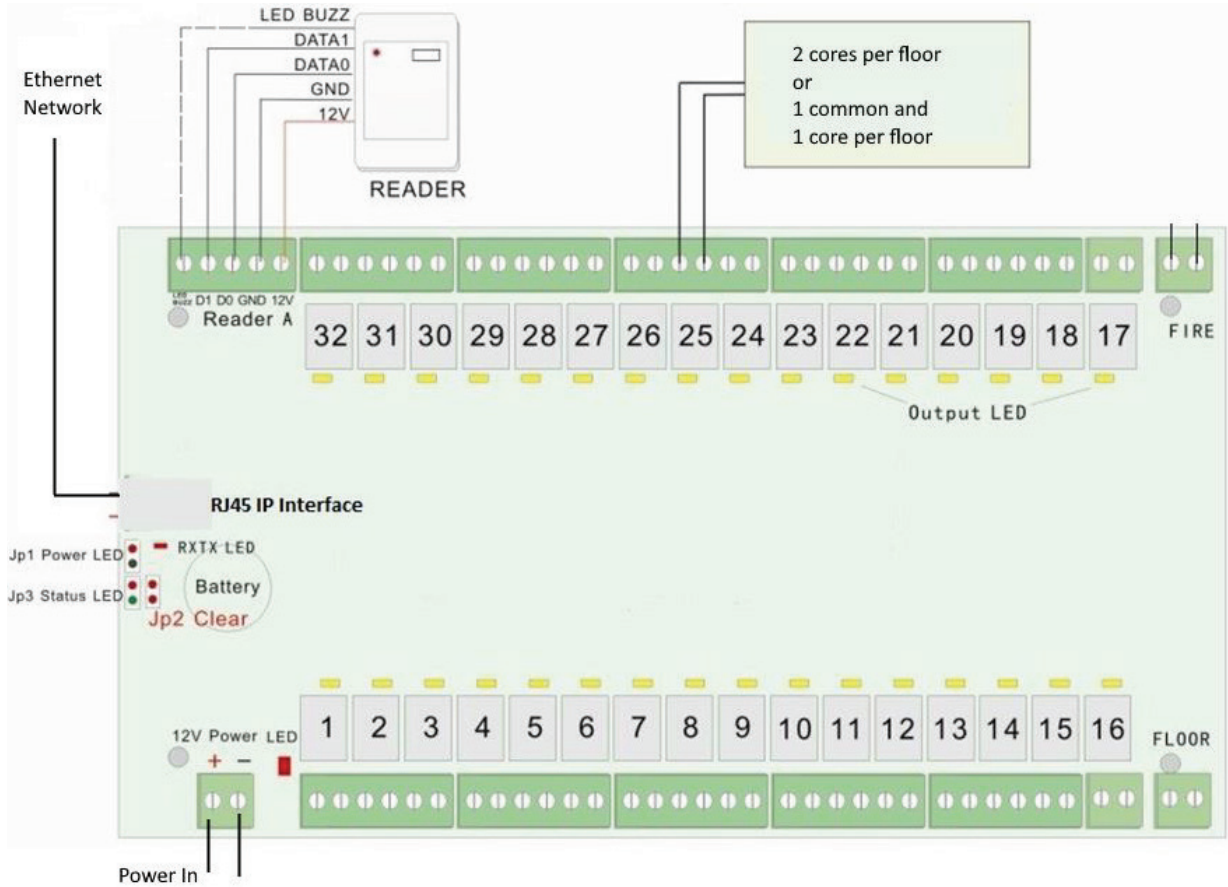
Lift Control

## **Lift Control Explanation v1.2**

## Contents

Connections .....	3
Access Control .....	3
Fob only – Reader in Lift Car.....	3
Fob or Pin – Reader in Lift Car .....	4
Fob and Pin – Reader in Lift Car .....	4
Door Entry & Access Control .....	5
Door panel outside the lift .....	5
Door panel inside the lift .....	6
Extra security (predominately commercial environments).....	6
Door Entry Only .....	7
Operating Lift through touch screen .....	7

## Connections



## Access Control

Fob only – Reader in Lift Car



Install 1x access control reader within the Lift Car (and ORC-LFT with sundries)

1. Residents to show their key fob to the Reader which will activate a relay (similar action to pressing the button to call the lift)

Leaving the building simply call the lift from any floor (except GND) and the lift will arrive. Enter and press G to take the lift down. (note G is always active for safety reasons and visitors getting off on the wrong floor)

#### Fob or Pin – Reader in Lift Car



Install 1x Keypad access control reader within the Lift Car (and ORC-LFT with sundries)

#### Residents:

1. Residents to show their key fob to the Reader which will activate a relay (similar action to pressing the button to call the lift)
2. Resident can insert a pin number which will activate a relay (similar action to pressing the button to call the lift)

#### Management (all floors):

4. Management to show their key fob to the Reader which will activate all relays allowing any floor to be selected.
5. Management can insert a pin number which will activate all relays allowing any floor to be selected.

Leaving the building simply call the lift from any floor (except GND) and the lift will arrive. Enter and press G to take the lift down. (note G is always active for safety reasons and visitors getting off on the wrong floor)

#### Fob and Pin – Reader in Lift Car

Install 1x Keypad access control reader within the Lift Car (and ORC-LFT with sundries)

#### Residents:

1. Residents to show their key fob to the Reader and insert security PIN which will activate a relay (similar action to pressing the button to call the lift)

### Management (all floors):

2. Management to show their key fob to the Reader and insert security PIN which will activate all relays allowing any floor to be selected.

Leaving the building simply call the lift from any floor (except GND) and the lift will arrive. Enter and press G to take the lift down. (note G is always active for safety reasons and visitors getting off on the wrong floor)

## Door Entry & Access Control

### Door panel outside the lift



- Install 1x ORC E3 or ORC-E5 Video door entry panel complete with access control reader where the button would be to call the lift (and ORC-LFT with sundries)
1. Residents to show their key fob to the door panel which will activate a relay (similar action to pressing the button to call the lift)
  2. Visitors will call the resident again to gain access to the lift (similar action to pressing the button to call the lift).

Leaving the building simply call the lift from any floor (except GND) and the lift will arrive. Enter and press G to take the lift down. (note G is always active for safety reasons and visitors getting off on the wrong floor)

This is ideal for maintenance as you will not require lift engineer when servicing the Door Entry

### Door panel inside the lift



- Install 1x ORC E3 or ORC-E5 Video door entry panel complete with access control reader inside the lift (and ORC-LFT with sundries)
  1. Residents to show their key fob to the door panel which will activate a relay which will activate all buttons inside the lift
  2. Visitors will call the resident again to gain access to the lift (similar action to pressing the button to call the lift).

This will require additional data and power cable in the lift and approval from the lift manufacturer. This will require a lift engineer present when servicing or maintenance.

### Extra security (predominately commercial environments)

For extra security level you can add 1x ORC LFT (lift controller).

This will allow relays to be programmed to activate lift inputs when required.

Example:

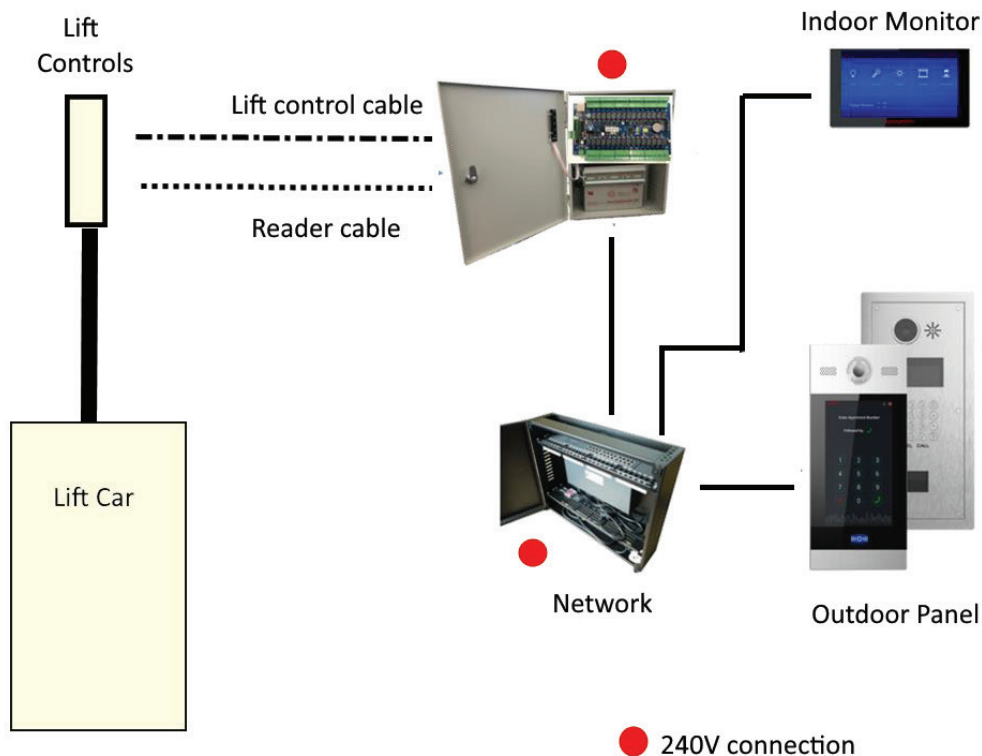
- Visitor calls resident 105 on the 4th floor. The resident answers the door entry and press the “open door” button on the screen. The controller will activate G to send lift to ground and open the door. The controller will then activate button for 4th floor, the lift will travel to the 4th floor and doors will open. No other buttons will be active (except ground)

What if a visitor follows another visitor? This can be an issue if the second visitor tailgates the first visitor. The door will only open on 4th floor and not any others. The second visitor will have to go back to ground or where the panel is installed to call the resident they are visiting.

We only recommend installing the additional lift controller where concierge or 24 hour manned support available.

## Door Entry Only

Operating Lift through touch screen



1. Visitors will call the resident through the intercom to gain access to the building, when approved the resident will unlock the door and at the same time the system will send a signal to the Lift controller to go to ground and activate the button ready for visitor.

2. When the visitor arrives at the dedicated lift the button is ready for use (via the relay from the ORC-LFT)

Leaving the building simply call the lift from any floor (except GND) and the lift will arrive. Enter and press G to take the lift down. (note G is always active for safety reasons and visitors getting off on the wrong floor)

This is ideal for maintenance as you will not require lift engineer when servicing the Door Entry