

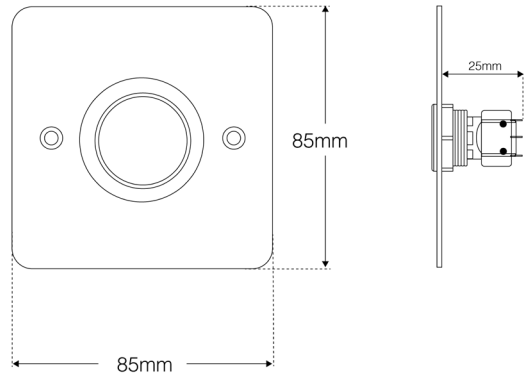
ORC-PTE-NT200

ITEM NO: 33919

Touchless proximity switch, activated by close proximity of the hand. No need for physical touch, making it ideal for clean environments.



DIMENSION



DETAILS

Illumination	RED Halo, Green when activated	Sensor Type	Infrared
Sensor Range	up to 15cm	Installation Type	Flush
Material	Stainless Steel		

TECHNICAL INFORMATION

Power	12-24V DC	Current	45mA
Output Type	Relay	Output State	Trigger 0.5 to 20 sec
Operating Temperature	-10 to +70°C	Range	4 to 15 cm (+/-25%)
Rating	IP65 Sensor	Weight	50g
Dimensions	85mm x 85mm x 25mm		

NOTES

Suitable for Access Control installations. The device will require minimum of 5 cores to work as designed. Metal Surface mount available ORC-PTE-NT200-S.

ADDITIONAL INFORMATION

