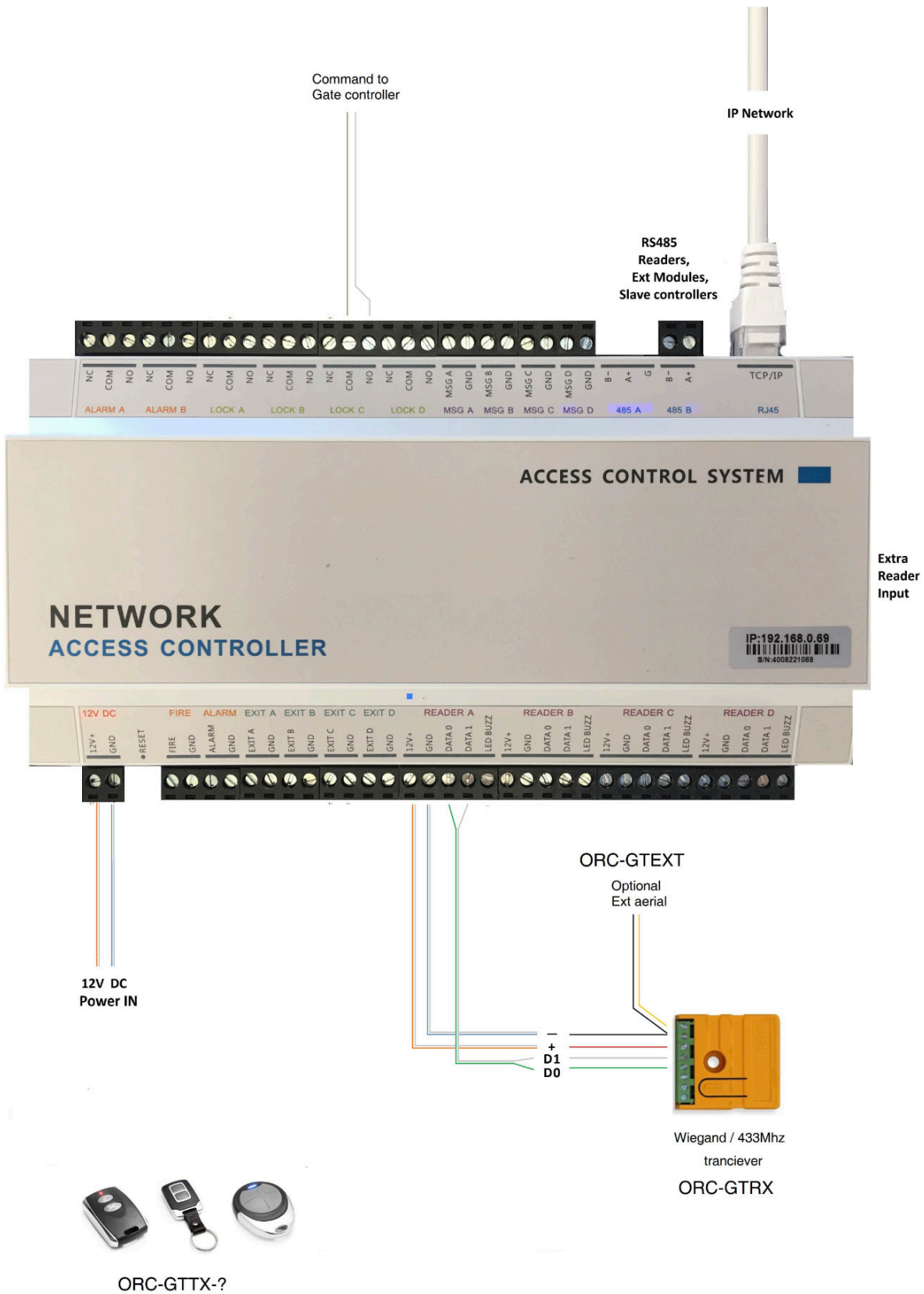


# ORC-GTRX

Gate Receiver

## Schematic



# ORC-GTRX

## Gate Receiver

Orcomm ORC GTRX Gate receiver allows gate transmitters (433Mhz) to connect with an existing Access Control System.

Using Wiegand communication simply add the ORC-GTRX unit directly to an input to allow 433 Wireless transmission to be read by the IP Controller (ORC-4DC)

ORC-ACS1 module may be required on the Access control software suite.

### **2-WAY (Entry / Exit) using one receiver**

Install the ORC GTRX close to the gate using 12V from the IP controller. Ensure the D0 D1 transmission for Wiegand is within the guide parameters. Add a user to the software suite. Authorise the user for the relay dedicated to the Receiver. Add the Wireless Key number into the users credentials.

When the user presses the button on the Transmitter (ORC-GTTX-) a signal will be sent to the Receiver. If the information is correct and the user is authorised then relay will activate on the IP controller.