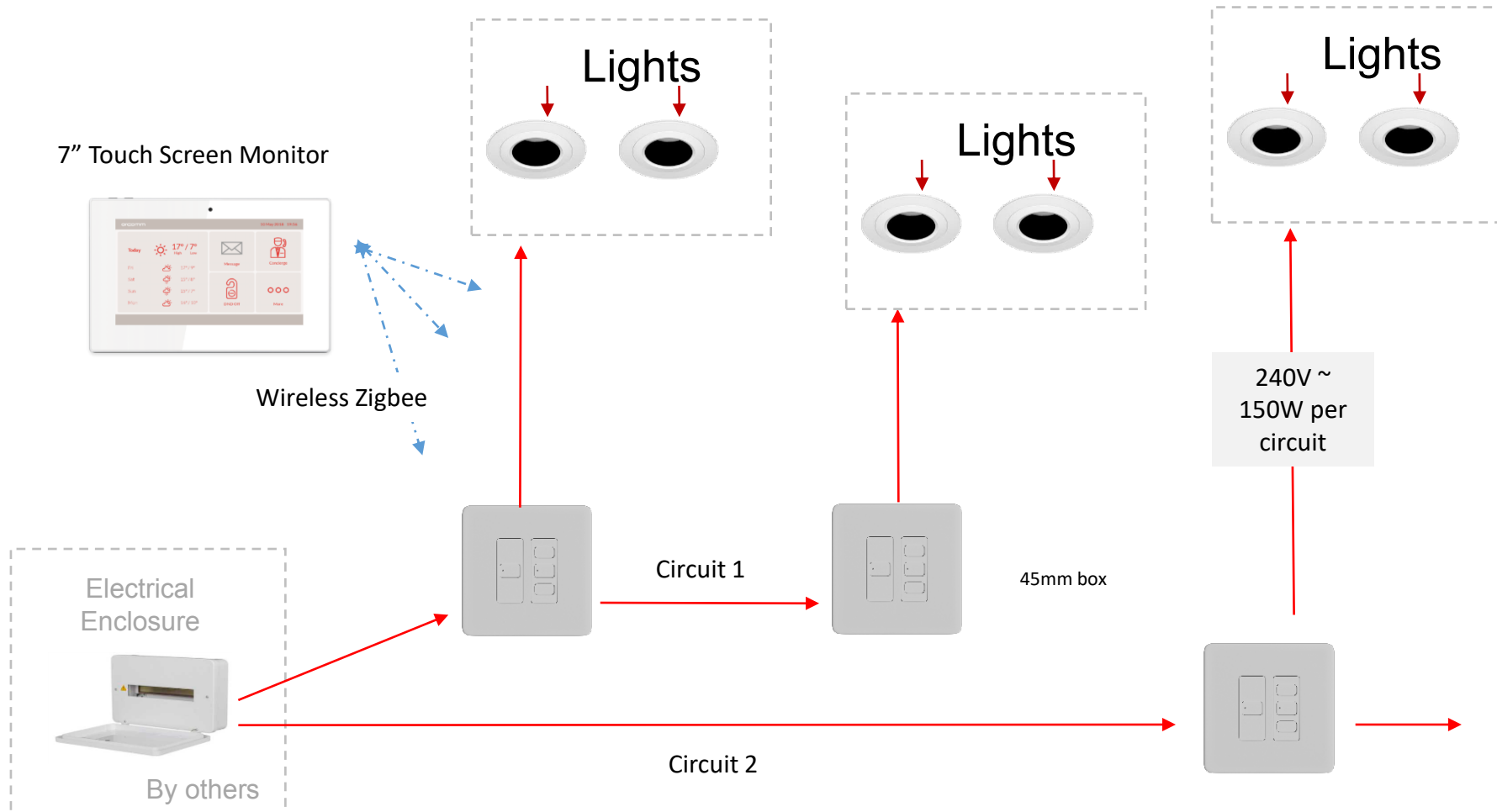


# Digilux

## Wiring Quick Guide

# Lighting Control – Digilux



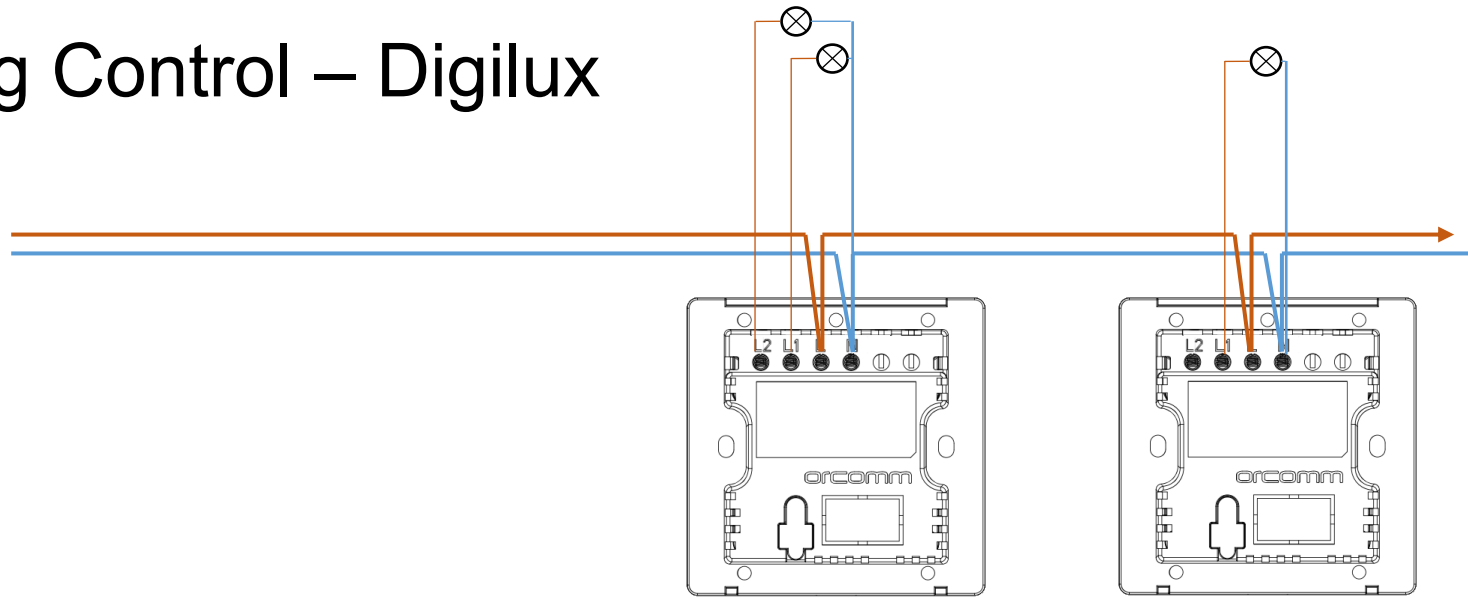
Door Entry  
Concierge  
**Lighting**  
Heating  
Cooling  
Leak Detection  
Access Control  
Blinds

7" Touch Screen Monitor will control the lighting circuits through the gateway using Zigbee wireless technology.  
Note: the lights are 240V fed and power 240V LED lights up to 150W max per circuit

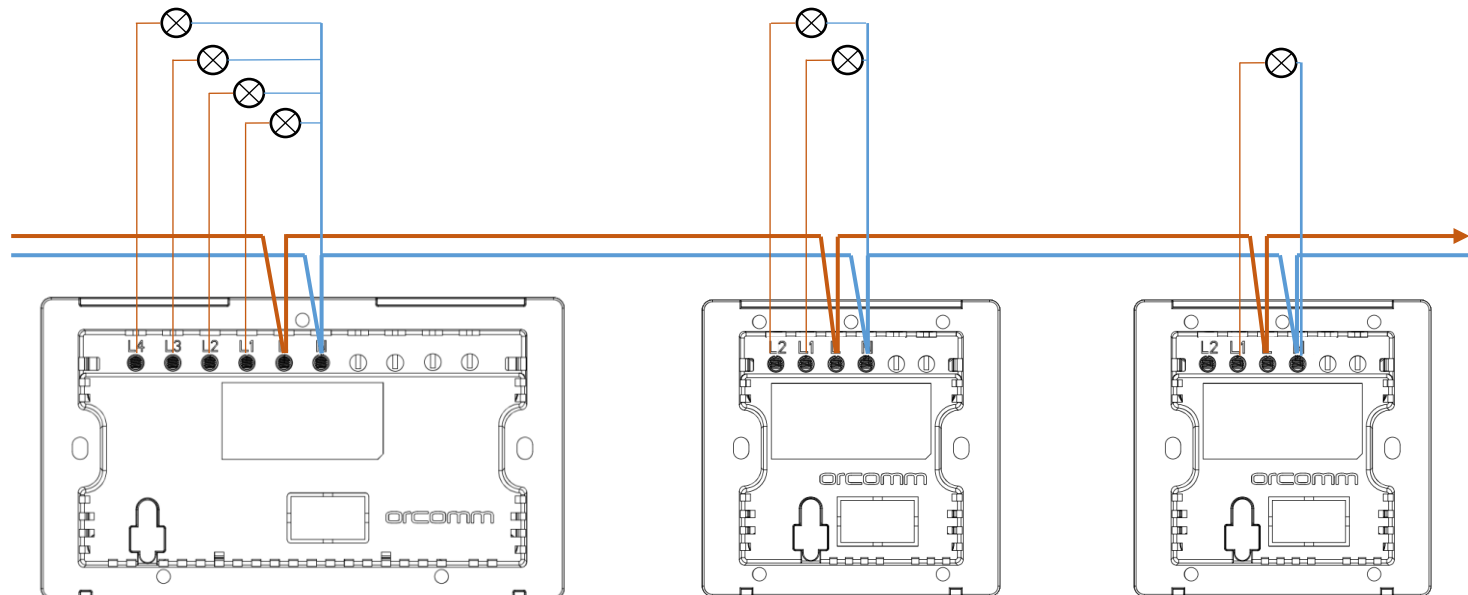
For more info visit:  
<https://www.orcomm.co.uk/digilux/>

# Lighting Control – Digilux

Feed 1 (6A)



Feed 2 (6A)

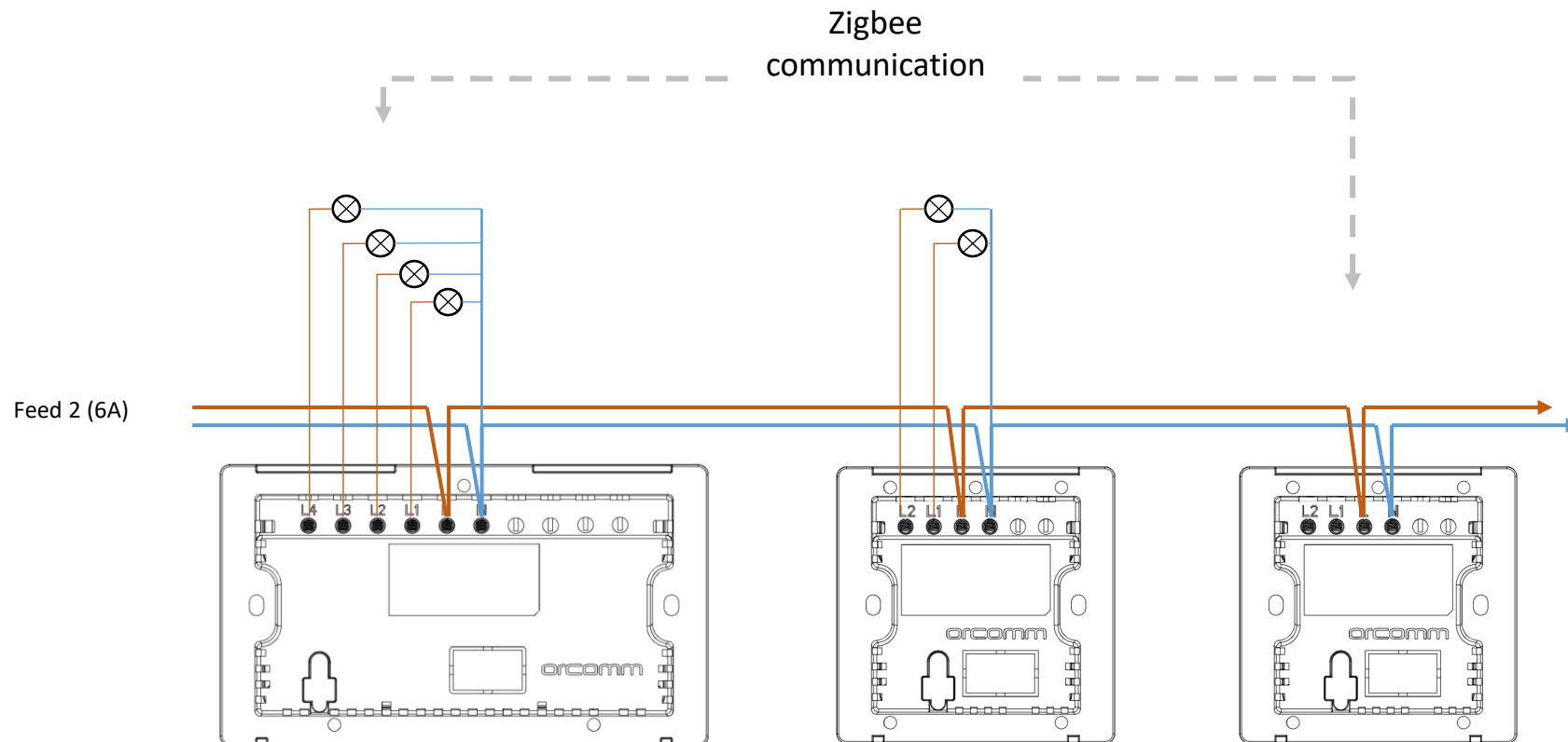


Door Entry  
Concierge  
**Lighting**  
Heating  
Cooling  
Leak Detection  
Access Control  
Blinds

For more info visit:  
<https://www.orcomm.co.uk/digilux/>

# Lighting Control – Digilux (2-way / intermediate)

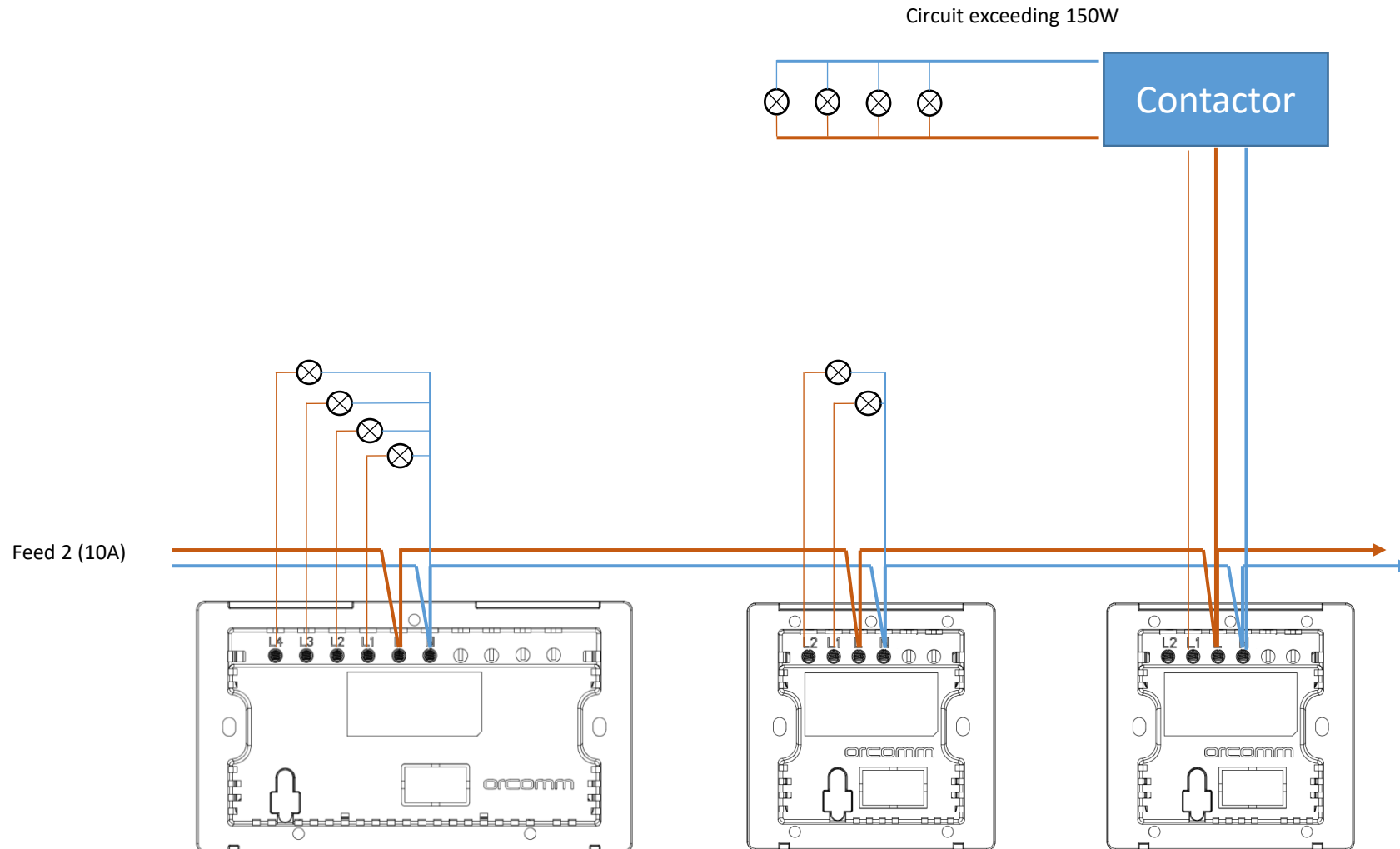
2-way / intermittent lighting works through Zigbee communication  
NO Hard wire required



Door Entry  
Concierge  
**Lighting**  
Heating  
Cooling  
Leak Detection  
Access Control  
Blinds

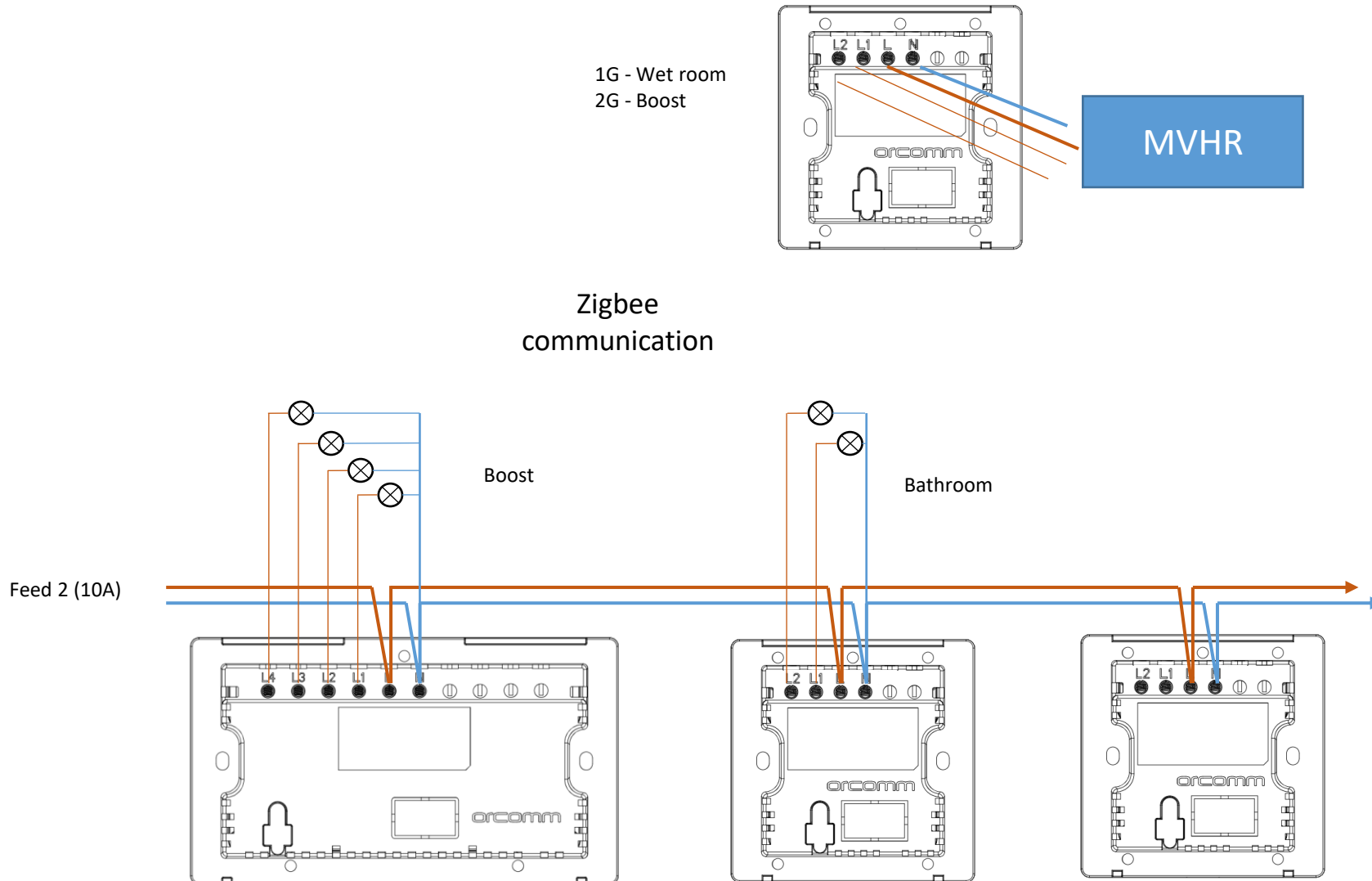
For more info visit:  
<https://www.orcomm.co.uk/digilux/>

# Lighting Control – Digilux (contactor 150W+)



Door Entry  
Concierge  
**Lighting**  
Heating  
Cooling  
Leak Detection  
Access Control  
Blinds

# Lighting Control – MVHR



Door Entry  
Concierge  
**Lighting**  
Heating  
Cooling  
Leak Detection  
Access Control  
Blinds