

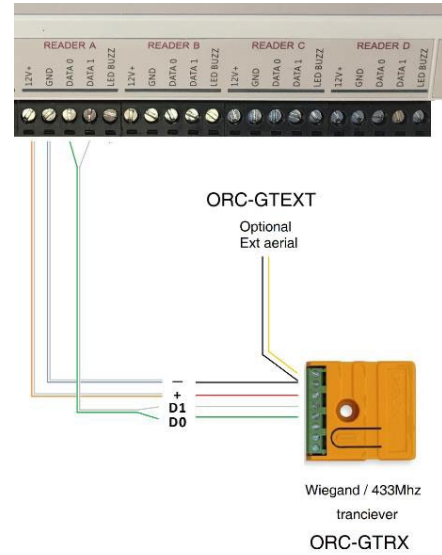
ORC-GTRX

ITEM NO: 12563

The ORC-GTRX is engineered to facilitate the transmission of wireless RF gate signals via Wiegand protocol to the ORC-4DC Access Door Controller, optimising access control management. It is fully compatible with any ORC-GTTX device utilising the Wiegand 26 - 34 communication protocol, making it an ideal solution for seamless integration with access control systems.



ADDITIONAL INFORMATION



DETAILS

Size	37mm x 41mm x 15mm	Colour	Orange
Weight	>0.1Kg	Power	12V DC
Temperature	-20 - 90°C	Humidity	10% ~ 95%R.H
Communication	Wiegand 26 - 34	Output	Relay 24V - 1A
RF	433.92MHz transmitters		

OPTIONAL ENCLOSURE

Plastic enclosure used to mount PCBA products with in the orcomm range ORC-GT-BOX-SM

